



30" Dual Fuel Range

With Wolf's dual fuel range you have state-of-the-art cooking expertise to meet the discriminating consumers' needs. The dual fuel range offers standard dual-stacked sealed surface burners. The large electric oven features ten cooking modes and the Wolf exclusive dual convection system that delivers even temperature and airflow throughout. The dual fuel range is available in natural and LP gas.



Model DF304 shown with 20" riser with shelf.



Model DF304

Features

- Classic stainless steel exterior finish with island trim included
- Red or black control knobs
- Platinum bezels surround all knobs—chrome or brass bezels optional
- Dual-stacked, sealed burners, all with simmer capabilities and automatic reignition at all settings
- Melt feature on 9,200 Btu/hr burner
- Ten cooking modes, temperature probe and self-clean features
- Porcelain-coated cast iron continuous top grates
- Pivoting hidden touch control panel
- Coaxial temperature displaying oven selector knob
- Cobalt blue porcelain oven interior with halogen lighting
- Three adjustable oven racks with full-extension bottom rack
- Hidden bake element and recessed broil element
- Spring/damper door hinge system



Rotating Control Panel



Cobalt Blue Oven Interior

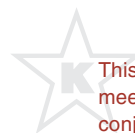
Surface Features

Model	DF304
Surface Burners – 15,000 Btu/hr with 950 Btu/hr delivered at simmer	3
Surface Burner – 9,200 Btu/hr with 325 Btu/hr delivered at simmer	1

Model number is for natural gas dual fuel range, add (-LP) to the model number for LP gas.

Accessories

- Classic stainless steel risers in 5" and 10" heights, or 20" riser with shelf
- Red or black control knobs—must be specified when ordering the range
- Chrome or brass bezels
- One piece porcelain-cast wok grate and single burner grate
- Porcelain-cast two-burner S-grate
- Set of three oven racks
- Broiler pan and temperature probe
- Bake stone accessory
- Dehydration accessory racks
- Front leg extension covers and rear caster covers
- High altitude conversion kit



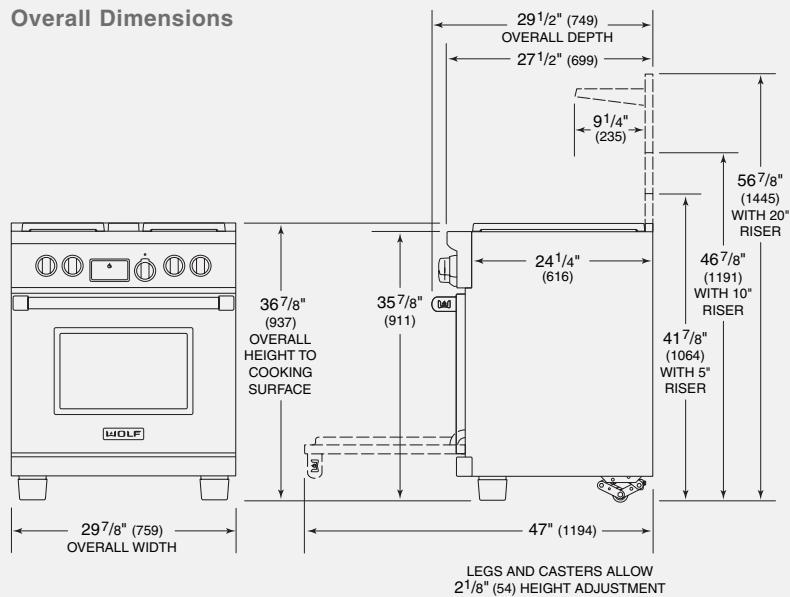
This appliance is certified by Star-K to meet strict religious regulations in conjunction with specific instructions found on www.star-k.org.

Accessories are available through your Wolf dealer. To obtain local dealer information, visit the Showroom Locator section of our website, wolfappliance.com.



30" Dual Fuel Range

Overall Dimensions

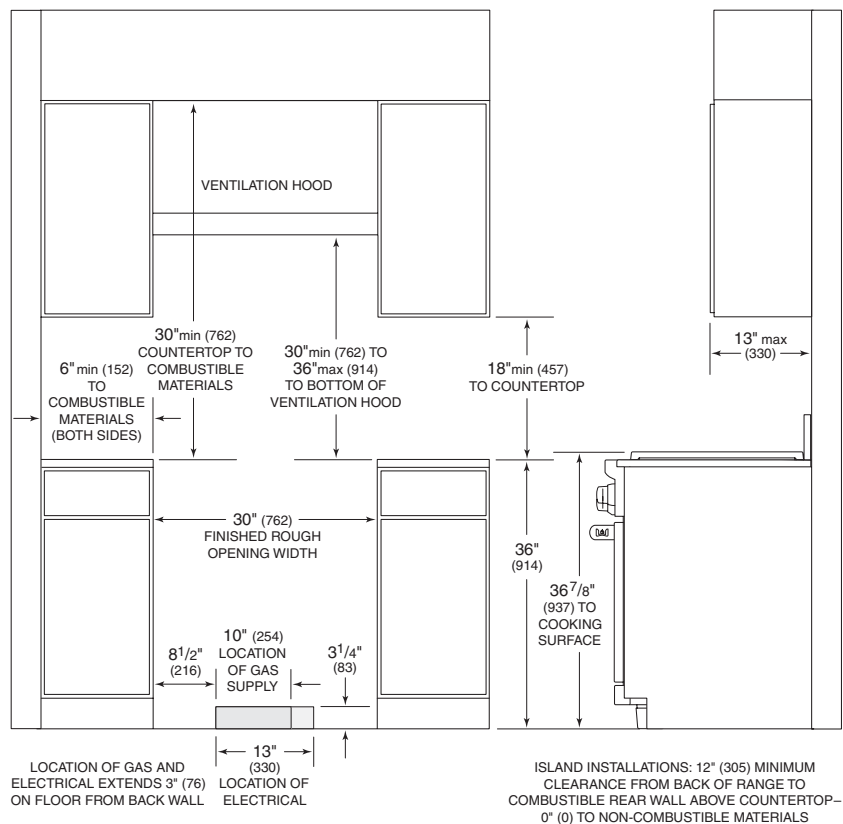


Unit dimensions may vary by $\pm 1/8"$.

Specifications

Exterior Finish	Classic Stainless Steel
Overall Width	29 7/8"
Overall Height (to cooking surface)	36 7/8"
Overall Depth	29 1/2"
Oven Interior Capacity	4.5 cu ft
Oven Interior Dimensions	25" W x 16 1/2" H x 19" D
Opening Width	30"
Opening Height (to countertop)	36"
Opening Depth	24"
Electrical Requirements	240/208 V AC 60 Hz, 30 amp circuit
Electrical Rating	5.2 kW at 240 V AC 4.5 kW at 208 V AC
Total Amps	21.7
Shipping Weight	325 lbs

Installation Specifications



Installation Notes

- A Wolf Pro wall, chimney, island ventilation hood or hood liner is recommended.
- Natural gas and LP gas installations above 8,000' require the high altitude kit.

Dimensions in parentheses are in millimeters unless otherwise specified.